



Description

Aluminum alloy stairway with UltraGrip knurling. Comes complete with stainless steel brackets and fasteners, and plastic or steel end caps.

Relevant regulations

D.lgs 81/2008

ISO 14122 - 3

Additional features

Perforated treads

Tool-free removable guardrails

Stainless steel fireproof end caps

Non-standard height & width available on request

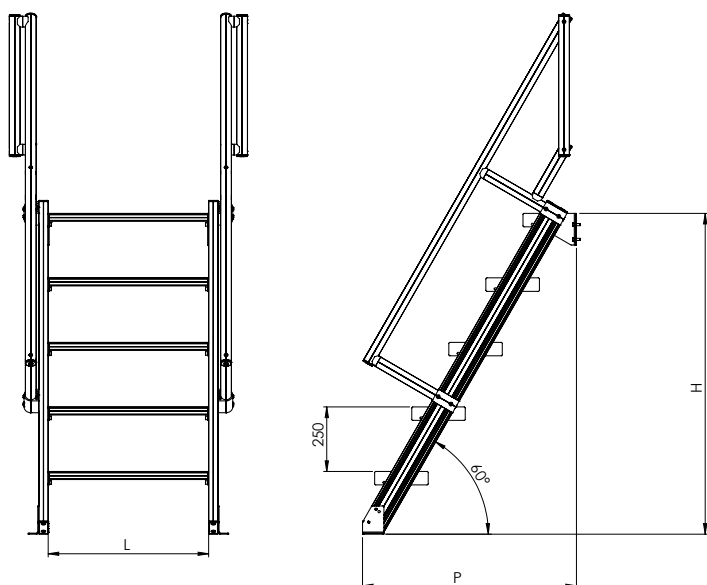
Non-standard slope available on request

Anodizing

Technical data

Stairway height	From 300 to 4800 mm
Slope angle	60°
Clear tread width	From 600 to 1000 mm
Stair riser height	250 mm
Handrail pipe diameter	Ø40mm
Stringers measurements	88x35 mm
Ladder material	Aluminum alloy 6063 T6
Brackets material	Stainless steel AISI 304
Fasteners material	Stainless steel AISI 304
End caps material	PA6/Stainless steel AISI 304

Available Models



MODEL	STEPS	L *	H *	P *
ST60 - 500	2	600	500	289
ST60 - 750	3	600	750	433
ST60 - 1000	4	600	1000	577
ST60 - 1250	5	600	1250	722
ST60 - 1500	6	600	1200	866
ST60 - 1750	7	600	1500	1010
ST60 - 2000	8	600	1750	1155
ST60 - 2250	9	600	2000	1299
ST60 - 2500	10	600	2250	1443
ST60 - 2750	11	600	2750	1588
ST60 - 3000	12	600	3000	1732

CREDA Enterprise Srl

Legal Office: Via Monte Rosa, 21 | 20149 Milano (MI)
 Operating Office: Via Pacinotti, 42 | 20090 Corsico (MI)
 02/47753091 | credaelevation.it | info@credae360.it