

Description

Aluminum alloy guardrail to be mounted on the inside of the parapet wall.
 Comes complete with stainless steel brackets and fasteners, plastic end caps, and optional toeboard.

Relevant regulations

NTC 2018

Technical data

Guardrail height	900 mm
Parapet minimum height	600 mm
Max distance between uprights	1000 mm
Uprights angle	NA
Uprights measurements	80x30 mm
Handrail pipe diameter	Ø40mm
Guardrail material	Aluminum alloy 6063 T6
Brackets material	Stainless steel AISI 304
Fasteners material	Stainless steel AISI 304
End caps material	PE-LD

Mounting methods

Type	Tensile strength
12x110 threaded rod with chemical anchor	850 Kg
12x110 concrete screw	850 Kg
12x114 concrete dowel	850 Kg

Additional features

Toeboard

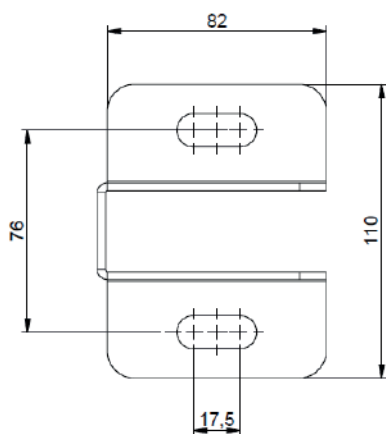
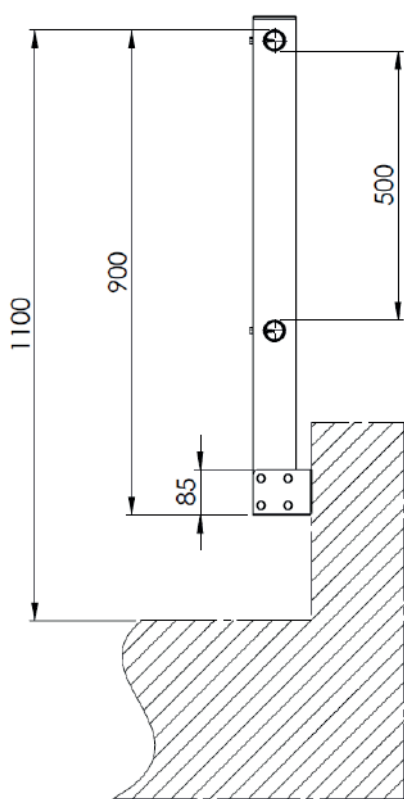
Anodizing

Power coating

Access gate

Custom mounting brackets

Non-standard height & incline available on request



CREDA Enterprise Srl

Legal Office: Via Monte Rosa, 21 | 20149 Milano (MI)
 Operating Office: Via Pacinotti, 42 | 20090 Corsico (MI)
 02/47753091 | credaelevation.it | info@credae360.it